

COMMERCIAL LINE

**ROBOTIC POOL CLEANERS
FOR COMMERCIAL AND PUBLIC
SWIMMING POOLS**





About Aquatron

For more than twenty years Aquatron has set the industry standard for Robotic Pool Cleaners. As the creators of the acclaimed Aquabot brand, we are known around the world for our extensive range of robotic swimming pool cleaners. With solutions for both residential and commercial applications, whatever the size or shape of the pools – we have a robotic pool cleaner for it. Our advanced pool cleaning technology removes more debris and fine particles than any other on the market while also minimising the amount of chemicals needed. The result is a safer, cleaner and healthier swimming environment.

Our vision – crystal clear water

Our commitment for a better water quality means we are constantly developing new and innovative solutions in robotic pool cleaning. Over the years our in-house R&D department has pioneered major state-of-the-art developments in pool cleaning, with further advancements currently being explored. Our engineers also work to improve the quality, durability and user-friendly capabilities of our units.

Quality is in our DNA. As a result, our automatic pool cleaners are designed with quality in mind from the very beginning. From conception to R&D to engineering to final production, every pool cleaning unit undergoes multiple reviews and quality inspections in order to guarantee reliability and durability.

We apply these same standards of quality to our after-sales service. We have a network of service centers and distributors in over 40 countries – we take the time to train, certify and guide them personally. This means our customers' are serviced with Aquatron's standards at heart. Our vision – crystal clear.

About BWT

The Best Water Technology Group is Europe's leading water technology business with a staff of 4,500, using cutting-edge methods and new techniques to develop innovative, economical and ecologically friendly water purification technologies to provide private households, industry, commerce, hotels and municipalities with the safest, healthiest and most hygienic water possible for their day-to-day needs. BWT provides modern purification systems and services for drinking water and water used in pharmaceutical and other processes, heating, boilers, cooling and air conditioning and, of course, water used in swimming pools. This includes our robotic pool cleaners, designed and developed to provide optimum filtration of the pool water, removing debris, algae and bacteria. Our employees work particularly hard to create sustainable products that use fewer resources and less energy, thereby reducing CO2 emissions. For you and planet blue!

The Olympic Team



Aquarius

The ideal solution for small public swimming pools



Magnum Junior

The best robot for campings and water parks



Magnum

The best to clean the vast majority of municipal pools



Ultramax Junior

The perfect product for intermediate public pools



Ultramax

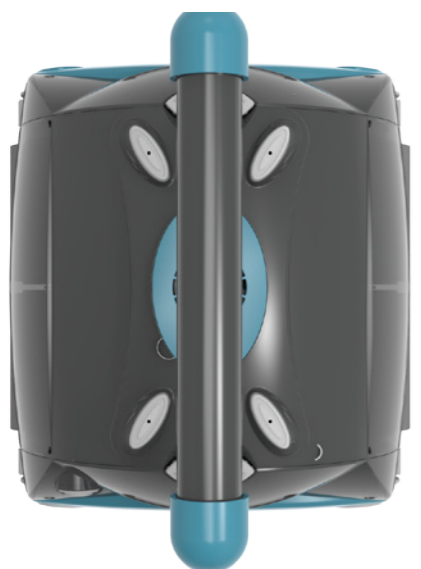
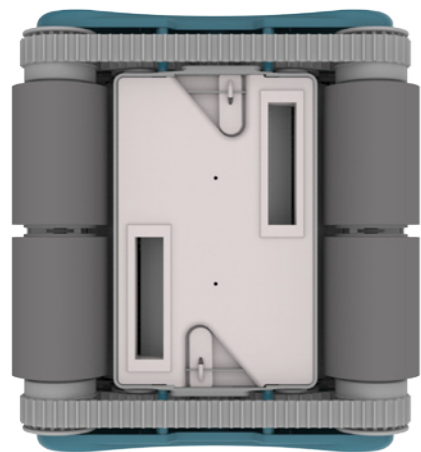
The olympic champion of big public swimming pools





Aquarius

The ideal solution for small public swimming pools



Small Size, Big Job

The Aquarius robot pool cleaner is the first in Aquatron's range of commercial line. Designed for pools up to 20 meters long, it is perfectly suited for frequent cleanings of hotel and accommodations swimming pools.

Commercial robots are not designed only for large and long pool, but above all for their frequency of use. Therefore, a robot like the Aquarius, robust and powerful (19 cubic meters per hour), is necessary for the daily cleaning of a swimming pool of 15m long or less.

The small size of the Aquarius, its electronic swivel, the Aquasmart integrated technology and the Gyro system will perfectly fit complex shapes swimming pools.

Equipped Like A Big Robot

The remote control of the Aquarius gives also high flexibility to the pool cleaner and allow faster cleaning if needed. The Aquarius robot is equipped with high density foam brushes, and shows very good adhesion to all surfaces, whatever the nature of the pool coating. It will thus clean the bottom, the walls, and the water line with ease. It will collect the dirt sucked up in a hyper-fine large capacity filtration bag, which can be cleaned with a simple jet of water.

One of the major advantages of the Aquarius robot is its great flexibility of use, offering 'à la carte' maintenance of your pool.

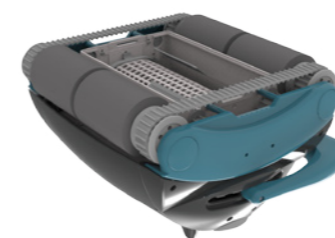
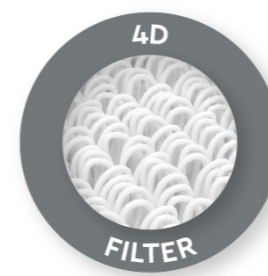
To finish, the transport and storage cart offers optimized storage thanks to its well-designed compartments.

Features

The many options available through the power supply allow you to choose:

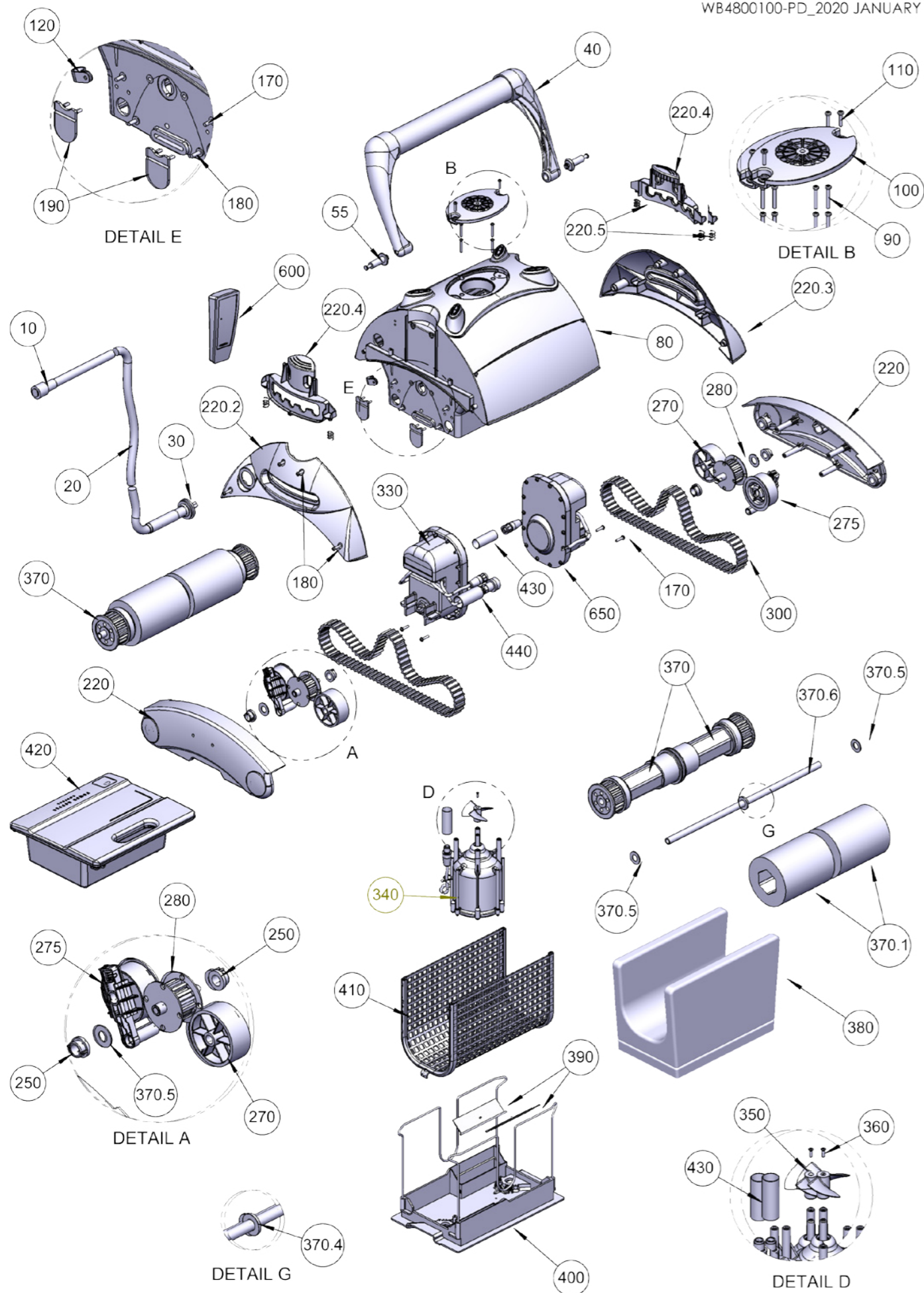
- The duration of the cleaning cycle: 3, 4 or 5 hours.
- The delay time, which can be postponed by 2 hours
- The cleaning level (fast, normal, or slow), to be modulated according to the quantity of dirt

- Obstacle auto-detection
- Anti-tangle cable program
- Shape of the swimming pool
- Full filter indicator
- External timer capability (Wi-Fi)

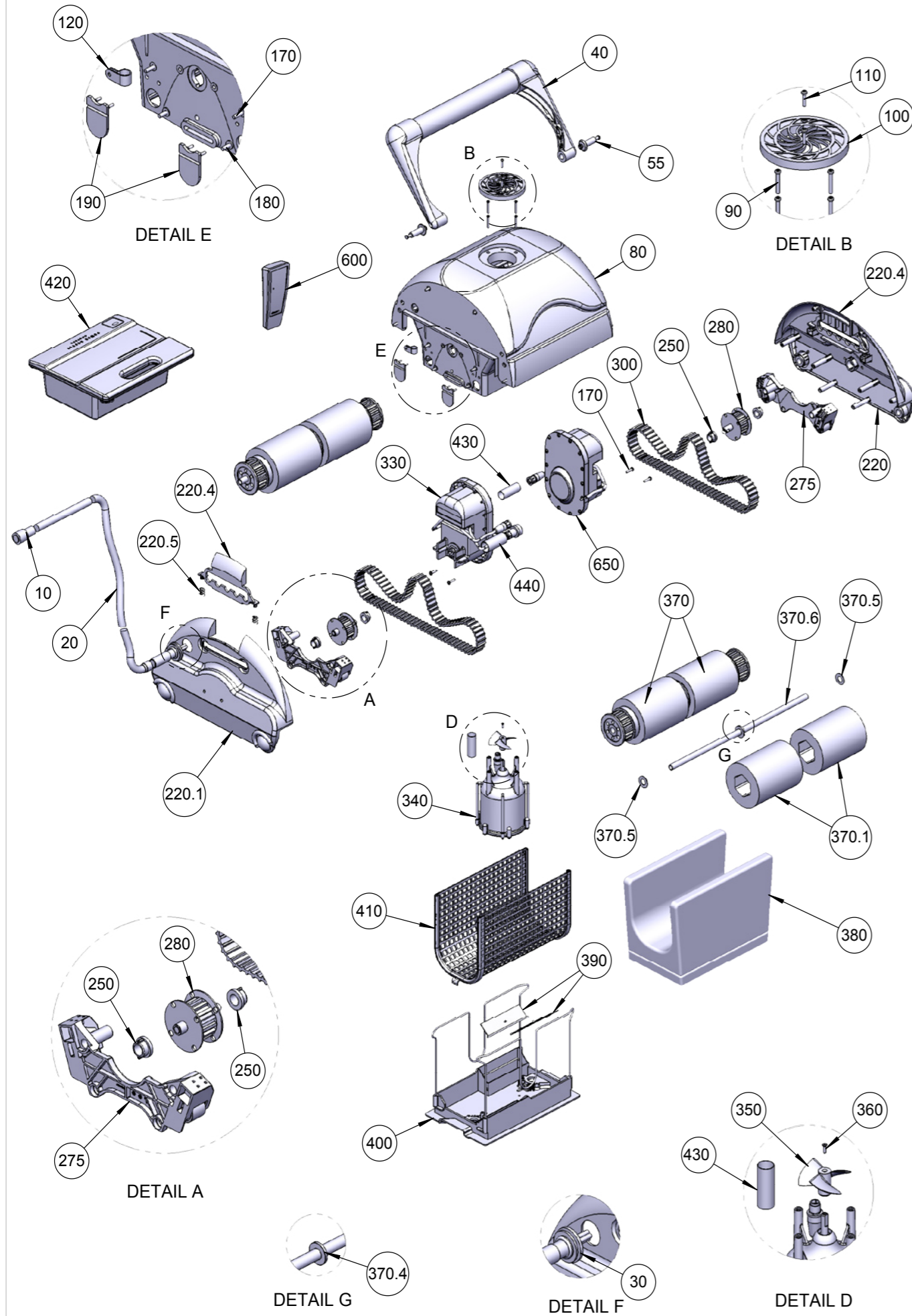


TECHNICAL SPECIFICATIONS

Pool type	For swimming pools of any shapes up to 20m
Surface type	All pool surfaces
Platform	Dual drive, mono pump
Wall climbing	Yes and waterline
Filter loading	Easy latch bottom access
Filter type	One 4D hyperfine microfiber XL bag
Brushes	4 wide PVA brushes
Algorithm	Aquasmart
Gyroscope	Yes
Cable length	23m
Guarantee	3 years
Transport	Trolley
Dimensions	420mm x 390mm x 390mm
Internal timer	Yes
Full filter indicator	Yes
Swivel	Electronic swivel
Cleaning cycles	3 hours (floor only), 4, 6 hours
Filtration	19m3/h
Power consumption	260V/180W
Infrared sensor	No
Remote control	Yes



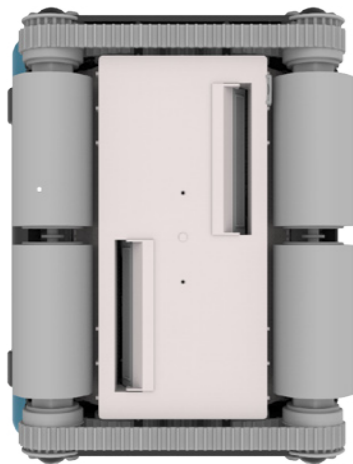
Item No	Part No	Description	Quantity
0	AS110300001	SEALANT BUTYL MASTIC XW3000100	2
0	PL00008F	CONNECTOR 4 PIN FEMALE	1
0	PP0005000	FLOAT FOR MOTOR	4
10	ASPL00002M	4 PIN PLUG	1
20	WA00328CGLA	F.CABLE CG/23M/4C/EL-SW/FAST	1
30	PP0001623	SEALING GROMMET	1
40	AS1042500	HANDLE ASSY	1
55	SK00000BK	PIN ASSY FOR HANDLE	2
80	AS1009860	BODY ASSY	1
90	2500	SCREW #8X1.175 PH PN	4
100	PP00059BL	OUTLET TOP	1
110	5061	SCREW 6-32X5\8 S\S PH PA	2
120	2105	P-CLIP 1\2	1
170	2700	SCREW #8X11\16 PHIL.	8
180	2701	SCREW #8X11\16 PHIL PN	12
190	2305N	RUBBER VALVE	4
220	AS1065800	SIDE PLATE ASSY	2
220,2	PP00080BK	BRACKET LOWER CABLE SIDE	1
220,3	PP00053BK	BRACKET LOWER	1
220,4	PP00054BK	HANDLE BRACKET	2
220,5	5087	SPRING	4
250	2613	MOLYBDENUM BUSHING	4
270	PP0013700A	TENSION WHEEL	2
275	ASPP0363600	ASSY TENSION WHEEL BNL	2
280	AS2000520	PULLEY ASSY	2
300	RB00098GY	DRIVE BELT GREY	2
330	AS08705D-SP	MOTOR MS/CLM/PVA/RC/V18	1
340	AS00035R-SP	PUMP MOTOR	1
350	P00038	PROPELLER	1
360	SW00069	SCREW M3X10 PHIL DIN-965	1
370	A38223CG	WHEEL TUBE ASSY	4
370,1	3009AG	PVA BRUSH	4
370,4	2607	DELFIN WASHER	2
370,5	3603	FLAT DELFIN WASHER	6
370,6	MP00212	AXLE 413 MM	2
380	8150	FINE FILTER BAG THICK FABRICK	1
390	9305B-NT	BOTTOM LID VALVE	2
400	BS6100200	S/A BOTTOM LID	1
410	AS09242	FILTER SCREEN ASSY	1
420	AS2722810-SP	POWER SUPPLY (SPS 500)	1
430	AS110162506	SHRINK 1625 CUT TO 60mm	2
440	AS111161408	SHRINK 1614 CUT TO 80mm	1
600	RC0100500	RC RES IDP INTEG RAD	1
650	AS08694D-SP	MOTOR SL/V13	1



Item No	Part No	Description	Quantity
0	AS110300001	SEALANT BUTYL MASTIC XW3000100	2
0	PL00008F	CONNECTOR 4 PIN FEMALE	1
0	PP0005000	FLOAT FOR MOTOR	4
10	ASPL00002M	4 PIN PLUG	1
20	WA00030CGL	F.CABLE CG/30M/4C/EZ-SW/FAST	1
30	PP0001623	SEALING GROMMET	1
40	AS1048650	HANDLE ASSY	1
55	SK00000BK	PIN ASSY FOR HANDLE	2
80	AS1019690	BODY ASSY	1
90	2500	SCREW #8X1.175 PH PN	4
100	5093BL	OUTLET TOP	1
110	5061	SCREW 6-32X5\8 S\S PH PA	2
120	2105	P-CLIP 1\2	1
170	2700	SCREW #8X11\16 PHIL.	16
180	2701	SCREW #8X11\16 PHIL PN	4
190	2305N	RUBBER VALVE	4
220	AS1061100	SIDE PLATE ASSY	1
220,1	AS1061150	SIDE PLATE ASSY	1
220,4	5088BK	HANDLE LOCK	2
220,5	5087	SPRING	4
250	2613	MOLYBDENUM BUSHING	4
275	ASPP036200	TENSIONS SYSTEM FOR COMMERCIAL	2
280	AS2000520	PULLEY ASSY	2
300	RB00098GY	DRIVE BELT GREY	2
330	AS08705D-SP	MOTOR MS/CLM/PVA/RC/V18	1
340	AS00035R-SP	PUMP MOTOR	1
350	P00038	PROPELLER	1
360	SW00069	SCREW M3X10 PHIL DIN-965	1
370	A38223CG	WHEEL TUBE ASSY	4
370,1	3009AG	PVA BRUSH	4
370,4	2607	DELIN WASHER	2
370,5	3603	FLAT DELRIN WASHER	4
370,6	MP00212	AXLE 413 MM	2
380	8150	FINE FILTER BAG THICK FABRICK	1
390	9305B-NT	BOTTOM LID VALVE	2
400	BS6100200	S/A BOTTOM LID	1
410	AS09240	FILTER SCREEN ASSY	1
420	AS2722810-SP	POWER SUPPLY (SPS 500)	1
430	AS110162506	SHRINK 1625 CUT TO 60mm	2
440	AS111161408	SHRINK 1614 CUT TO 80mm	1
600	RC0100500	RC RES IDP INTEG RAD	1
650	AS08694D-SP	MOTOR SL/V13	1

Magnum Junior

The best robot for campings and water parks



The Magnum Junior automatic commercial swimming pool cleaner is the right robotic pool cleaner for small-medium sized commercial or public swimming pools up to 25m long.

All The Aquatron Technology At Your Disposal

With the GYRO navigation system installed, the Magnum Junior automated robotic pool cleaner is able to fully and efficiently clean your pool with 3, 4 or 5 hours cleaning cycles. The Magnum Junior robot is equipped with high density foam brushes, and shows very good adhesion to all surfaces, whatever the nature of the pool coating. It will thus clean the bottom, the walls, and the waterline with ease.

Maximum Suction Power, Thinnest Filtration

The robot has a high filtration power 19m³ L/h allowing it to suck up the finest particles. It will collect the dirt sucked up in an Hyper-fine large capacity filtration bag, which can be cleaned with a simple jet of water.

One of the major advantages of the Magnum robot is its great flexibility of use, offering 'à la carte' maintenance of your pool. In addition, thanks to the integrated Aquasmart technology, your robot works intelligently, with perfectly optimized output.

For more comfort, a remote control is included, which allows you to guide the robot wherever you need in the swimming pool. Also included, the transport cart offers optimized storage thanks to its well-designed compartments.

Features

The many options available through the power supply allow you to choose:

- The duration of the cleaning cycle: 3, 4 or 5 hours.
- The delay time, which can be postponed by 2 hours
- The cleaning level (fast, normal, or slow), to be modulated according to the quantity of dirt
- Obstacle auto-detection
- Anti-tangle cable program
- Shape of the swimming pool
- Full filter indicator
- External timer capability



TECHNICAL SPECIFICATIONS

Pool type	For swimming pools of any shapes up to 25m
Surface type	All pool surfaces
Platform	Dual drive, mono pump
Wall climbing	Yes and waterline
Filter loading	Easy latch bottom access
Filter type	One 4D hyperfine microfiber XL bag
Brushes	4 wide PVA brushes
Algorithm	Aquasmart
Gyroscope	Yes
Cable length	30m
Guarantee	3 years
Transport	Trolley
Dimensions	430mm x 390mm x 390mm
Internal timer	Yes
Full filter indicator	Yes
Swivel	Electronic swivel
Cleaning cycles	3 hours (floor only), 4, 6 hours
Filtration	19m ³ /h
Power consumption	260V/180W
Infrared sensor	No
Remote control	Yes



Magnum

The best to clean the vast majority of municipal swimming pools



The Magnum range offers devices with multiple functions, proven efficiency, and easy of use. By creating a range of electric robots intended for the maintenance of large swimming pools, Aquatron, once again proves its status as a leader in cleaning.

The Star Of Fun And Sports Pools

Magnum is a robot recommended for swimming pools intended for public use. It will be perfect for hotels, camping and Aquatic parks pools. Its options and flexibility of use as well as the length of its cable (36 m) allow it to maintain swimming pools with a maximum length of 25m. The specific features of the Magnum robot pool cleaner allow it to clean all types of swimming pools. Thanks to its width (the magnum is larger than the Magnum Junior and the Aquarius), it provides a perfect result in pools up to 30m long. In addition, you can handle it with ease, thanks to its handle designed for better ergonomics.

Technologically Fully Accomplished

The Magnum robot is equipped with high density foam brushes, and shows very good adhesion to all surfaces, whatever the nature of the pool coating. It will thus clean the bottom, the walls, and the water line with ease. It will collect the dirt sucked up in a Hyper-fine large capacity filtration bag, which can be cleaned with a simple jet of water. One of the major advantages of the Magnum robot is its great flexibility of use, offering 'à la carte' maintenance of your pool.

In addition, thanks to its integrated Aquasmart technology, the robot works intelligently, with perfectly optimized output. For more comfort, a remote control is included, which allows you to guide the robot wherever you need in the swimming pool. Also included, the transport cart offers optimized storage thanks to its well-designed compartments.

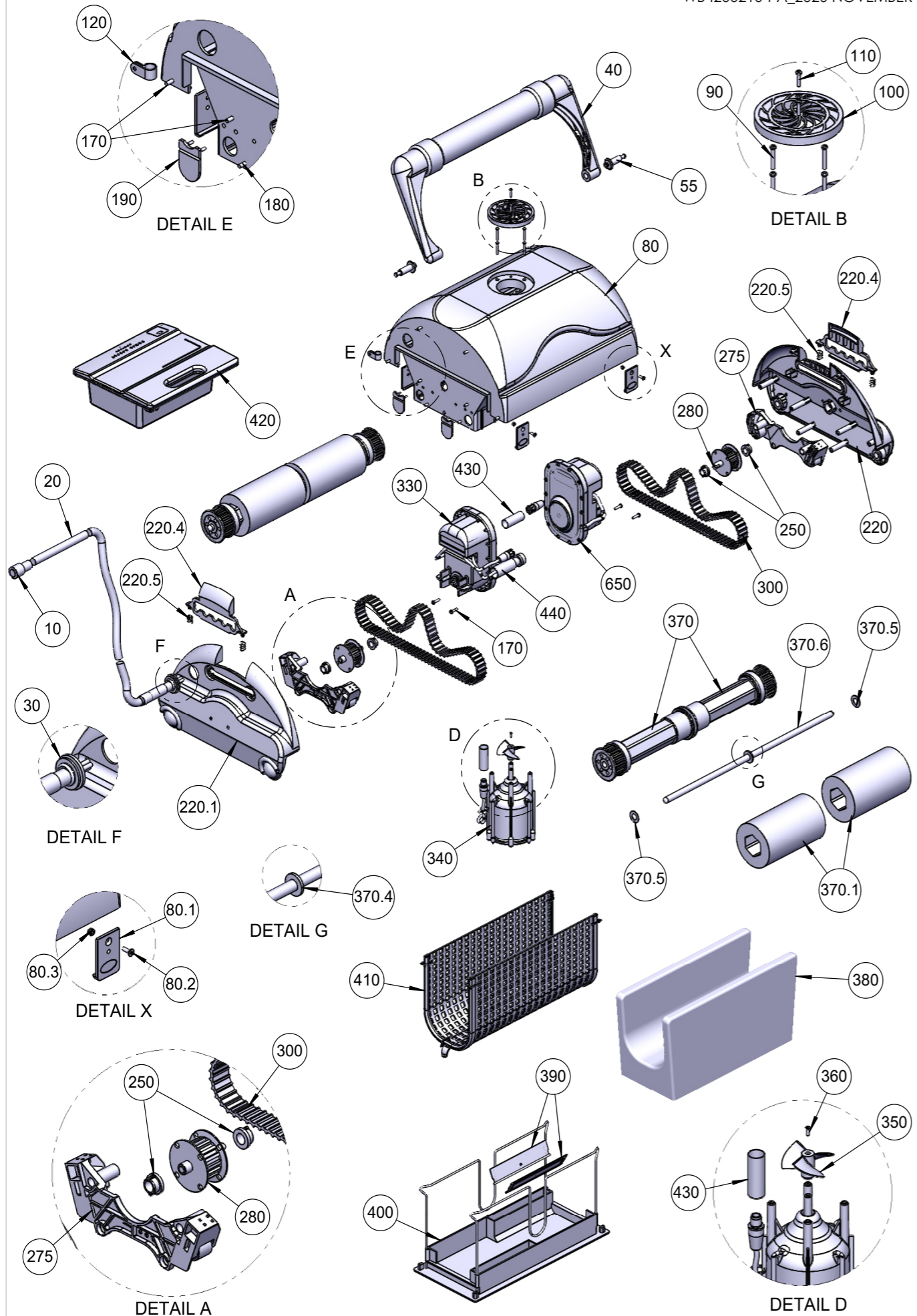
Features

- The many options available through the power supply allow you to choose:
- The duration of the cleaning cycle: 3, 4 or 5 hours.
 - The delay time, which can be postponed by 2 hours
 - The cleaning level (fast, normal, or slow), to be modulated according to the quantity of dirt
 - Obstacle auto-detection
 - Anti tangle cable program
 - Shape of the swimming pool
 - Full filter indicator
 - External timer capability (WiFi)



TECHNICAL SPECIFICATIONS

Pool type	For swimming pools of any shapes up to 30m
Surface type	All pool surfaces
Platform	Dual drive, mono pump
Wall climbing	Yes and waterline
Filter loading	Easy latch bottom access
Filter type	One 4D hyperfine microfiber XL bag
Brushes	4 wide PVA brushes
Algorithm	Aquasmart
Gyroscope	Yes
Cable length	36m
Guarantee	3 years
Transport	Trolley
Dimensions	520mm x 390mm x 390mm
Internal timer	Yes
Full filter indicator	Yes
Swivel	Electronic swivel
Cleaning cycles	3 hours (floor only), 4, 6 hours
Filtration	19m3/h
Power consumption	260V/180W
Infrared sensor	No
Remote control	Yes

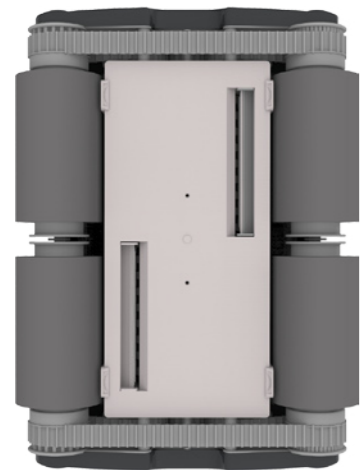


Item No	Part No	Description	Quantity
0	AS110300001	SEALANT BUTYL MASTIC XW3000100	2
0	ASPL00008F	CONNECTOR 4 PIN FEMALE	1
0	PP0005000	FLOAT FOR MOTOR	4
10	ASPL00002M	4 PIN PLUG	1
20	WA00036CGL	F.CABLE CG/36M/4C/EZ-SW/FAST	1
30	PP0001623	SEALING GROMMET	1
40	AS1048590	HANDLE ASSY	1
55	SK00000BK	PIN ASSY FOR HANDLE	2
80	AS1019680	BODY ASSY	1
80,1	PP00046NT	LOCK TAB	4
80,2	2303	SCREW M4X10 S\S	4
80,3	7133	HEX. NUT LOCK M4 S\S	4
90	2500	SCREW #8X1.175 PH PN	4
100	5093MT	OUTLET TOP	1
110	5061	SCREW 6-32X5\8 S\S PH PA	2
120	2105	P-CLIP 1\2	1
170	2700	SCREW #8X11\16 PHIL.	16
180	2701	SCREW #8X11\16 PHIL PN	4
190	2305N	RUBBER VALVE	4
220	AS1060400	SIDE PLATE ASSY	1
220,1	AS1060450	SIDE PLATE WITH HOLE	1
220,4	5088BK	HANDLE LOCK	2
220,5	5087	SPRING	4
250	2613	MOLYBDENUM BUSHING	4
275	ASPP036200	TENSIONS SYSTEM FOR COMMERCIAL	2
280	AS2000520	PULLEY ASSY	2
300	RB00098GY	DRIVE BELT GREY	2
330	AS08705D-SP	MOTOR MS/CLM/PVA/RC/V18	1
340	AS00035R-SP	PUMP MOTOR	1
350	P00038	PROPELLER	1
360	SW00069	SCREW M3X10 PHIL DIN-965	1
370	A38213CG	WHEEL TUBE ASSY	4
370,1	3008AG	PVA BRUSH	4
370,4	2607	DELIN WASHER	2
370,5	3603	FLAT DELIN WASHER	4
370,6	MP00164	AXLE 511 MM	2
380	8101	FILTER BAG	1
390	PP0017700	BOTTOM LID VALVE MAGNUM	2
400	BS6500200	S/A BOTTOM LID ASSY	1
410	AS09224	FILTER SCREEN ASSY.	1
420	AS2762010-SP	SPS WITH BLUETOOTH 2018	1
430	AS110162506	SHRINK 1625 CUT TO 60mm	2
440	AS111161408	SHRINK 1614 CUT TO 80mm	1
650	AS08694D-SP	MOTOR SL/V13	1



UltraMax Junior

The perfect solution for intermediate public swimming pools



Optimized Cleaning

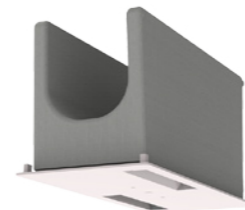
The UltraMax Junior robotic pool cleaner is specifically designed for swimming pools up to 30m. Perfectly suitable for cleaning public pools for hotels, motels, and aquatic parks. Thanks to its AquaSmart cleaning algorithm, the beach entry sensor and the infrared capabilities, the UltraMax Junior pool cleaner is equipped of all the features required to perfectly clean all kinds of swimming pools.

The small width of the pool cleaner will be perfectly suitable for complex shapes of swimming pools. The UltraMax Junior has different Cycle time of 3, 4 or 6 hours after which it will automatically turns off its power. In addition, an internal timer allows the user to delay the start by 2, 3, 4 or 5 hours.

The UltraMax Junior has many set up possibilities in order to fit all user needs: cleaning mode, pool length and shape set up, full bag indicator. It is equipped with a well-designed cart for easy transportation and storage of the cleaner and its equipment.

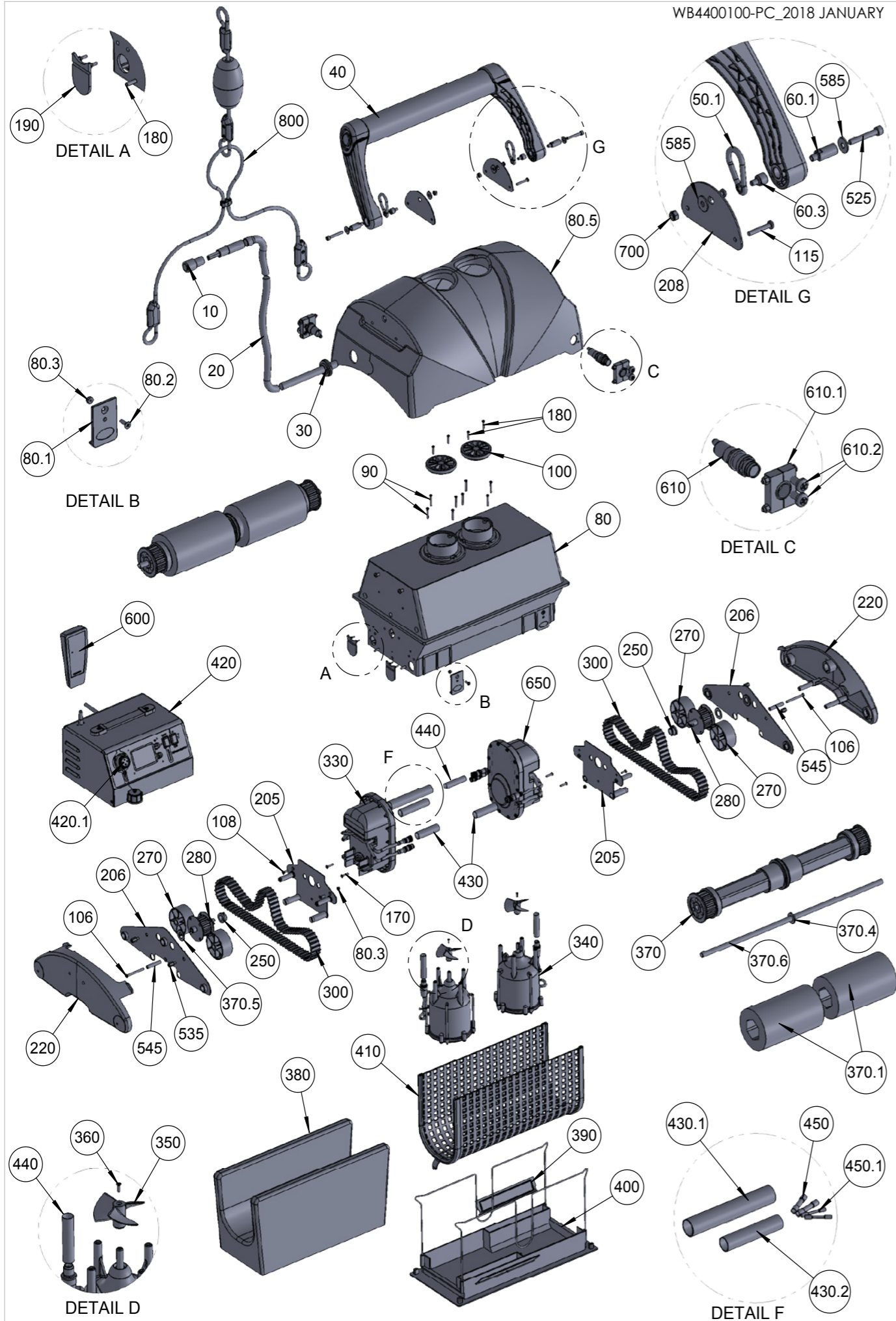
Smart cleaner

The computer chip inside the pool cleaner is in constant communication with the state of the Aquasmart Gyro system to ensure that the pool cleaner is following the optimum cleaning path it calculated. The AquaSmart and Gyro system scanning formulae ensure that whatever the size, shape, or surface of the pool, UltraMax will orient itself to provide impeccable pool cleaning in the shortest amount of time.



TECHNICAL SPECIFICATIONS

Pool type	For swimming pools of any shapes up to 30m
Surface type	All pool surfaces
Platform	Dual drive, dual pumps
Wall climbing	No
Filter loading	Easy latch bottom access
Filter type	One 4D hyperfine microfiber XL bag
Brushes	4 wide PVA brushes
Algorithm	Aquasmart
Gyroscope	Yes
Cable length	36m
Guarantee	2 years
Transport	Commercial Trolley
Dimensions	520mm x 390mm x 390mm
Internal timer	Yes
Full filter indicator	Yes
Swivel	Mechanical swivel
Cleaning cycles	3 hours (floor only), 4, 6 hours
Filtration	38m ³ /h
Power consumption	260V/180W
Infrared sensor	Yes
Remote control	Yes

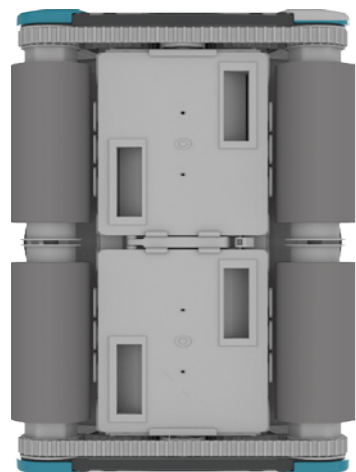


Item No	Part No	Description	Qty
10	PL00016ML	5 PIN PLUG	1
20	WA00060CGL	F.CABLE CG/36M/4C/EZ-SW	1
30	PP0001623	SEALING GROMMET	1
40	AS1049931	HANDLE ASSY	1
50,1	11006	SNAP HOOK S\S	2
60,1	MP00216A	AXLE FOR HANDLE	2
60,3	MP00217A	AXLE FOR HANDLE	2
80	AS1009200	BODY ASSY	1
80,1	PP00046NT	LOCK TAB	4
80,2	2303	SCREW M4X10 S\S	4
80,3	7133	HEX. NUT LOCK M4 S\S	6
80,5	ASP00483BKA	COVER	1
90	2500	SCREW #8X1" HI-LOW	8
100	2240MT2	NET OF OUTLET TOP-3 PART	2
106	2711A	SCREW M4X60FHILL FLAD HD	2
108	2712	SCREW M4X10 PAN HEAD S\S	4
115	1108	SCREW FOR LOWER BRACKET	4
170	2700	SCREW #8X11\16 PHIL.	4
180	2701	SCREW #8X11\16 PHIL PN	8
190	2305N	RUBBER VALVE	4
205	AS2000400	S/A MAIN SIDE PLATE	2
206	AS2000300	S/A COVER	2
208	MP00223	BRACKET FOR COVER	2
220	5200BK	SIDE PLATE	2
250	2613	MOLYBDENUM BUSHING	2
270	PP0043300	TENSION WHEEL PRO 64	4
280	AS2000520	PULLEY ASSY	2
300	RB00098GY	DRIVE BELT GREY	2
330	AS08700D-SP	MOTOR MS/FL/PVAC/RC/V42	1

Item No	Part No	Description	Qty
340	AS06106-SP	PUMP MOTOR	2
350	P00038	PROPELLER	2
360	SW00069	SCREW M3X10 PHIL DIN-965	2
370	A38209CG	WHEEL TUBE ASSY	4
370,1	3008AG	PVA BRUSH	4
370,4	2607	DELIN WASHER	2
370,5	3603	FLAT DELRIN WASHER	2
370,6	3813	AXLE 0.499" X 526MM	2
380	8101	FILTER BAG	1
390	PP0017700	BOTTOM LID VALVE MAGNUM	2
400	BS6500200	S/A BOTTOM LID ASSY	1
410	AS09228	FILTER SCREEN ASSY	1
420	AS07127-SP	POWER SUPPLY	1
420,1	PL00016FL	SOCKET 5 PIN FEMALE	1
430	AS110162506	SHRINK 1625 CUT TO 60mm	2
430,1	AS110162512	SHRINK 1625 CUT TO 120mm	1
430,2	AS110162508	SHRINK 1625 CUT TO 80mm	1
440	AS110012706	SHRINK EP00127 CUT TO 60mm	3
450	5473	BUTT CONNECTOR	2
450,1	5474	BUTT CONNECTOR	2
525	SW00101	BOLT M6X40 DIN 912 A2	2
535	SW00109	HEXAGONAL SCREW HEX S\S	4
545	SW00110	DELARIN SPACER	2
585	WS00001	PLAIN WASHER M6 DIN 9021	4
600	RC0100400	RC COMM IDP INTEG RAD	1
610	EP00012	INFRA RED SENSOR	2
610,1	2009	IR HOLDER WITH SCREWS	2
610,2	2008	SCREW 4.2X13 DIN-7981	4
650	AS08677D-SP	MOTOR SL/V13	1
700	N00021	HEX. LOCK NUT M6 S\S	2
800	A8329	ROPE ASSY	1

UltraMax

The Olympic champion of big public swimming pools



The UltraMAX Robotic Pool Cleaner is a robotic wonder, specifically designed for large and Olympic sized public pools. Up to 220.000 liters of water circulate through its massive filter per cycle.

Because Size Matters...

The UltraMax pool cleaner is equipped with all the XL features necessary to ensure ease of use and optimal cleaning. The width of the robot (81cm) in coordination with the AquaSmart cleaning algorithm and the infrared technology enable the UltraMax to clean the swimming pool very quickly. Its remote control gives to the user the possibility to guide the robot wherever he wants. The UltraMax pool cleaner can be programmed to run for 3, 4 or 6 hours after which it will automatically turn off its power. In addition, an internal timer allows the user to delay the cleaning cycle by 2, 3, 4 or 5 hours.

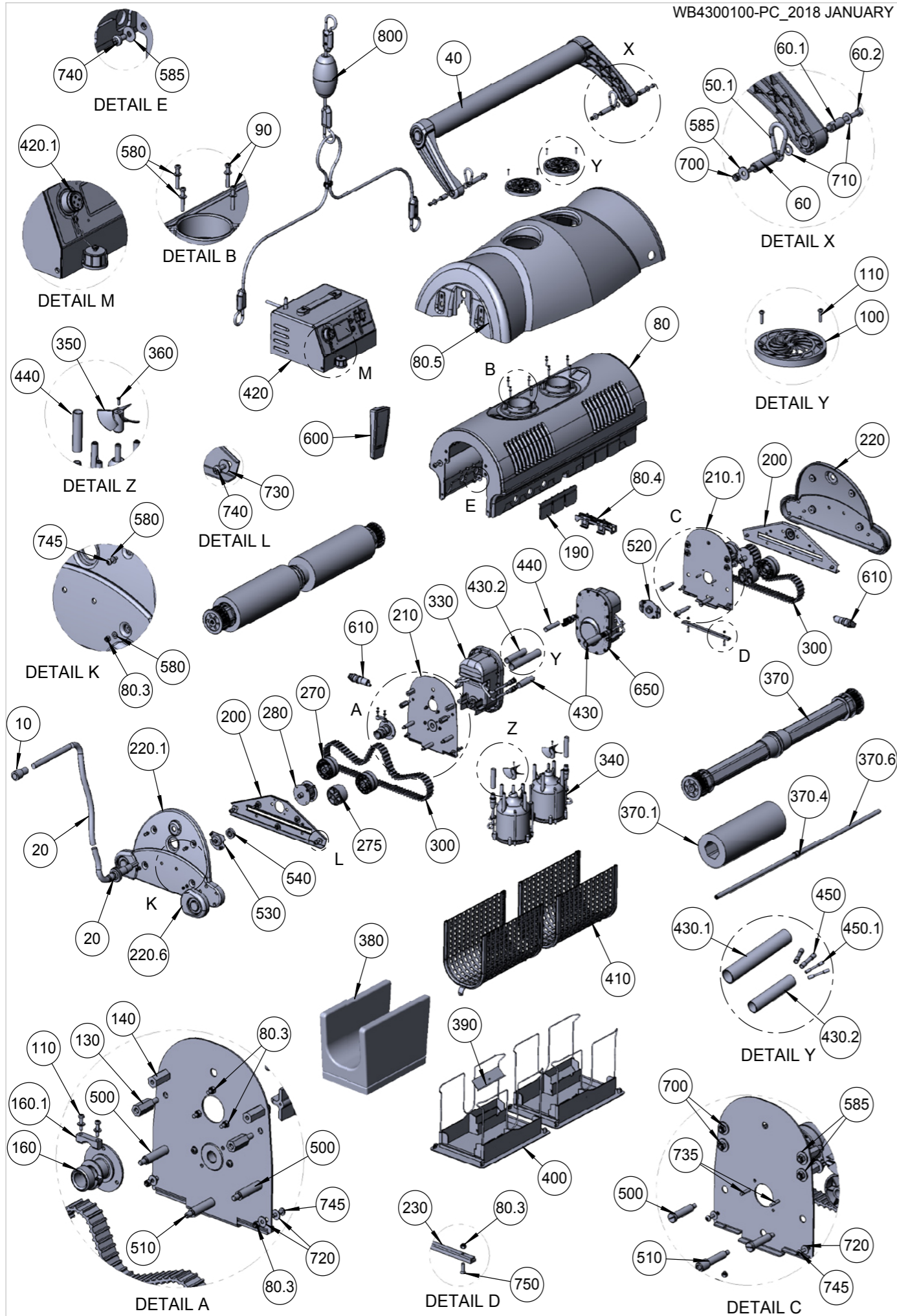
...And Technology Too

The UltraMax also includes many features that will optimize pool cleaning: Cleaning mode, Pool length, Pool type and Full bag indicator. The UltraMax is delivered with a well-designed cart for easy transportation and storing of the cleaner and its equipment. The computer chip inside the pool cleaner is in constant communication with the state of the AquaSmart Gyro system to ensure that the pool cleaner is following the optimum cleaning path it calculated. The AquaSmart Gyro System scanning formulae ensure that whatever the size, shape, or surface of the pool, UltraMax will orient itself to provide impeccable pool cleaning in the shortest amount of time.



TECHNICAL SPECIFICATIONS

Pool type	For swimming pools of any shapes up to 50m
Surface type	All pool surfaces
Platform	Dual drive, dual pumps
Wall climbing	No
Filter loading	Easy latch bottom access
Filter type	Two 4D hyperfine microfiber XL bag
Brushes	4 wide PVA brushes
Algorithm	Aquasmart
Gyroscope	Yes
Cable length	45m
Guarantee	2 years
Transport	Commercial Trolley
Dimensions	810mm x 400mm x 485mm
Internal timer	Yes
Full filter indicator	Yes
Swivel	Mechanical swivel
Cleaning cycles	3 hours (floor only), 4, 6 hours
Filtration	38m ³ /h
Power consumption	260V/180W
Infrared sensor	Yes
Remote control	Yes



Item No	Part No	Description	Qty
10	PL00016ML	5 PIN PLUG	1
20	WA00065CGL	F.CABLE CG/45M/4C/EZ-SW	1
30	PP0001623	SEALING GROMMET	1
40	AS1049912	HANDLE ASSY	1
50,1	11006	SNAP HOOK S\S	2
60	MP00217	AXLE ASSY. FOR HANDLE	2
60,1	MP00216A	AXLE FOR HANDLE	2
60,2	HW0002500	SCREW HEX SOC M6x50	2
80	AS1001400	BODY ASSY	1
80,3	7133	HEX. NUT LOCK M4 S\S	27
80,4	AS2000100	FILTER HOUSING LATCH ASSY	1
80,5	PP00020BKA	OUTSIDE COVER UMX	1
90	2500	SCREW #8X1.175 PH PN	8
100	5093MT	OUTLET TOP	2
110	5061	SCREW 6-32X5\8 S\S PH PA	6
130	MP00190	HEX SPACER FOR BODY (M6)	4
140	MP00191	HEX SPACER FOR BODY (M4)	4
160	PP0003300	GLAND FOR CABLE	1
160,1	P00382	SUPPORT FOR CABLE GLAND	1
190	RB00102	RUBBER VALVE	4
200	MP0030400	S/S SIDE PLATE	2
210	MP0030500	S/S SIDE PLATE	1
210,1	MP0030600	S/S SIDE PLATE TOP	1
220	AS2000820	SIDE PLATE ASSY	1
220,1	AS2000720	SIDE PLATE ASSY	1
220,6	P00034MT	BUMPER FOR SIDE PLATE	4
230	PP0003000	RULER	2
270	AS2000201	TENSION WHEEL ASSY 58.5 MM	4
275	PP0003501	TENSION WHEEL MIDDLE	2
280	AS2000530	PULLEY ASSY	2
300	RB00098GY	DRIVE BELT GREY	2
330	AS08700D-SP	MOTOR MS/FL/PVAC/RC/V42	1
340	AS06106-SP	PUMP MOTOR	2
350	P00038	PROPELLER	2
360	SW00069	SCREW M3X10 PHIL DIN-965	2

Item No	Part No	Description	Qty
370	AS38230CG	WHEEL TUBE ASSY	4
370,1	PP03009GY	PVA BRUSH	4
370,4	P00370	SPACER FOR WHEEL TUBE	4
370,6	MP00184	AXLE FOR WHEEL TUBE	2
380	8150	FINE FILTER BAG THICK FABRICK	2
390	9305B-NT	BOTTOM LID VALVE	4
400	BS6100100	S/A BOTTOM LID ASSY	2
410	AS09225	FILTER SCREEN ASSY.	2
420	AS07127-SP	POWER SUPPLY	1
420,1	PL00016FL	SOCKET 5 PIN FEMALE	1
430	AS110162506	SHRINK 1625 CUT TO 60mm	2
430,1	AS110162512	SHRINK 1625 CUT TO 120mm	1
430,2	AS110162508	SHRINK 1625 CUT TO 80mm	1
440	AS110012706	SHRINK EP00127 CUT TO 60mm	3
450	5473	BUTT CONNECTOR	2
450,1	5474	BUTT CONNECTOR	2
500	MP00187	AXLE FOR TENSION WHEEL	4
510	MP0030800	AXLE FOR SLEEVE ROLLER	2
520	PP0360800	HOLDER PULLEY	2
530	PP0003100	CAP BEARING	2
540	P00018	PLASTIC BEARING	2
580	11065	WASHER M4 DIN-125-1A A2	18
585	WS00001	PLAIN WASHER M6 DIN 9021	20
600	RC0100400	RC COMM IDP INTEG RAD	1
610	EP00012	INFRA RED SENSOR	2
650	AS08677D-SP	MOTOR SL/V13	1
700	N00021	HEX. LOCK NUT M6 S\S	16
710	11004	WASHER 1.2MM	4
720	WS00003	PLAIN WASHER M4 DIN 9021	8
730	HW0002100	WASHER SPRING LOCK M6	4
735	HW0004500	SCREW #8x3/4 FH PH A2	4
740	SW00077	SCREW M6X12 DIN 7985 A2	8
745	8301IS	SCREW M4X16 PHIL S\S	8
750	SW00105	SCREW M4X12 S\S	4
800	A8329	ROPE ASSY	1



Aquarius
The ideal solution for small public swimming pools



Magnum Junior
The best robot for campings and water parks



Magnum
The best to clean the vast majority of municipal pools

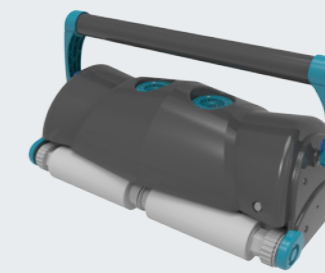


Pool type	Pools up to 20m long	Pools up to 25m long	Pools up to 30m long
Surface type	Any shape, any surface	Any shape, any surface	Any shape, any surface
Platform	Dual drive motors, single pump	Dual drive motors, single pump	Dual drive motors, single pump
Wall Climbing	Yes	Yes	Yes
Filter Loading	Easy clip bottom access	Easy clip bottom access	Easy clip bottom access
Filter type	4D hyperfine microfiber bag	4D hyperfine microfiber bag	4D hyperfine microfiber bag
Brushes	4 PVA brushes	4 PVA brushes	4 PVA brushes
Cable length	23m	30m	36m
Guarantee	3 Years	3 Years	3 Years
Transport/Storage	Exclusive trolley	Exclusive trolley	Exclusive trolley
Dimensions	420mm x 390mm x 390mm	430mm x 390mm x 390mm	520mm x 390mm x 390mm
Internal timer	Yes	Yes	Yes
Full filter indicator	Yes	Yes	Yes
Swivel	Electrical swivel	Tangle release handle	Tangle release handle
Cleaning Cycle	3,4, 5 hours	3,4, 5 hours	3,4, 5 hours
Filtration	19m ³ /h	19m ³ /h	19m ³ /h
Power consumption	230V/180W	230V/180W	230V/180W
Infrared sensor	No	No	No
Remote control	Yes	Yes	Yes

Ultramax Junior
The perfect product for intermediate public pools



Ultramax
The Olympic champion of big swimming pools



Pool type	Pools up to 30m long	Pools up to 50m long
Surface type	Any shape, any surface	Any shape, any surface
Platform	Dual drive motors, dual pumps	Dual drive motors, dual pumps
Wall Climbing	No	No
Filter Loading	Easy clip bottom access	Easy clip bottom access
Filter type	4D hyperfine microfiber XL bag	4D hyperfine microfiber XL bag
Brushes	4 PVA brushes	4 PVA brushes
Cable length	36m	45m
Guarantee	2 Years	2 Years
Transport/Storage	Commercial trolley	Commercial trolley
Dimensions	540mm x 400mm x 485mm	810mm x 400mm x 485mm
Internal timer	Yes	Yes
Full filter indicator	Yes	Yes
Swivel	Tangle release handle	Tangle release handle
Cleaning Cycle	3,4, 6 hours	3,4, 6 hours
Filtration	38m ³ /h	38m ³ /h
Power consumption	230V/180W	230V/180W
Infrared sensor	Yes	Yes
Remote control	Yes	Yes



A world made for you

EXCELLENCE, INTELLIGENCE, INNOVATION

The Bwt world is made for you, and its robotic pool cleaners
are design with you in mind.

Don't hesitate, step into an exceptional world.

 LIGHTHOUSE

www.lighthousepools.co.uk

Aquatron
robotic technology


THE PREFERRED POOL CLEANING SOLUTION