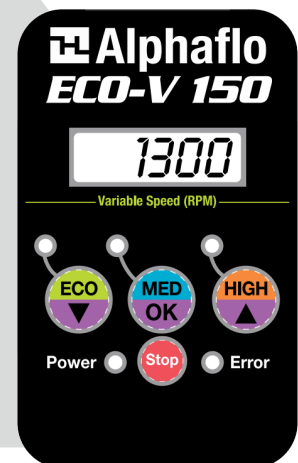


Alphaflo VS POOL AND SPA PUMPS



- ◇ High capacity pre filter
- ◇ High head and high flow
- ◇ 5 Star energy rating
- ◇ Variable speed motor
- ◇ Ultra Quiet Operation
- ◇ Robust, strong build
- ◇ Full 3 year HeatForm warranty
- ◇ 1.0 and 1.5 HP versions
- ◇ 2" and 63mm unions supplied



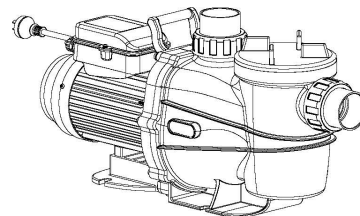
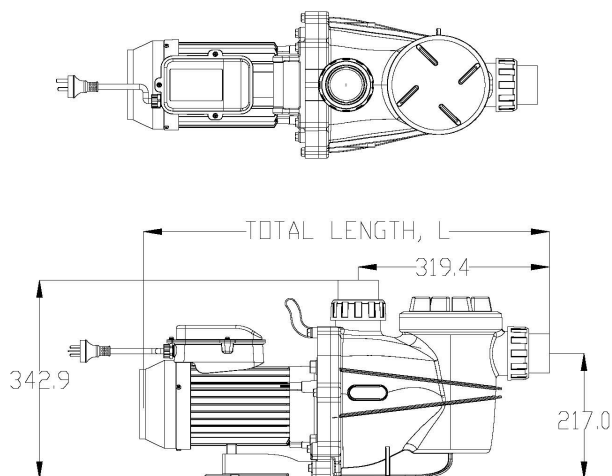
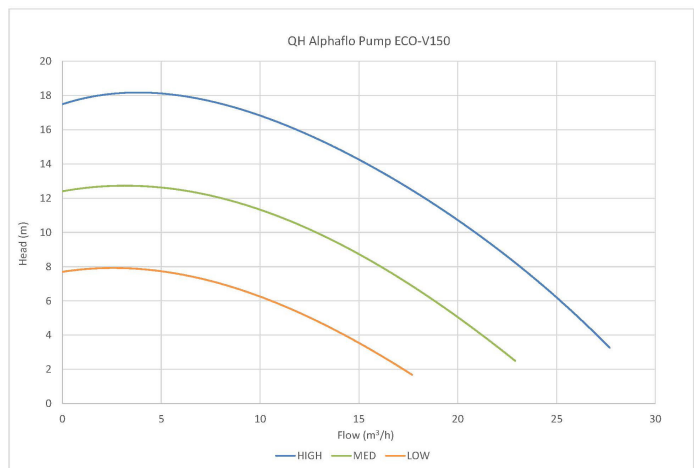
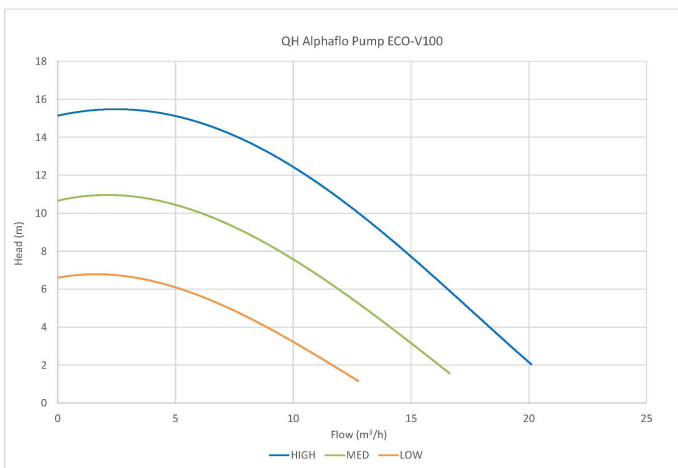
3 YEAR
WARRANTY

DESCRIPTION

Operating mode(s)	Controlled by ECO-V Controller
Nominal speed	1000 - 2850 RPM
Safety features	Automatic shutdown in case of high amperage / overheat situation
Filter basket volume	2 L
Compatible pipework	2" inlet & outlet union tailpieces provided
Use	Fresh water and salt water up to 6 g/L (6000 ppm)

TECHNICAL SPECIFICATIONS

Model	ECO-V 100	ECO-V 150
Pump type	Self-priming water pump	
Motor type	Asynchronous motor, TEFC, class F insulation	
Efficiency	> 80 % (as per IE3 standard)	
Output power HP (P2)	1.0	1.5
Input power Kw (P2)	0.91	1.416
Max amperage (A)	6.1	9.0
Power supply	Single phase	
Maximum flow rate (m ³ /h)	20.1 m ³ /h	27.7m ³ /h
Maximum water temperature	40 °C	
Protection rating	IPX5	



Pump PN	HP	TOTAL LENGTH, L (mm)
248050EUM	0.50HP	626
248075EUM	0.75HP	626
248100EUM	1.00HP	626
248150EUM	1.50HP	645
248200EUM	2.00HP	685
2481009EUM	ECO-V100	657
2481509EUM	ECO-V150	657

Available exclusively from:

LIGHTHOUSE
The Independent Specialist Distributor

www.lighthousepools.co.uk
sales@lighthousepools.co.uk
01752 253525